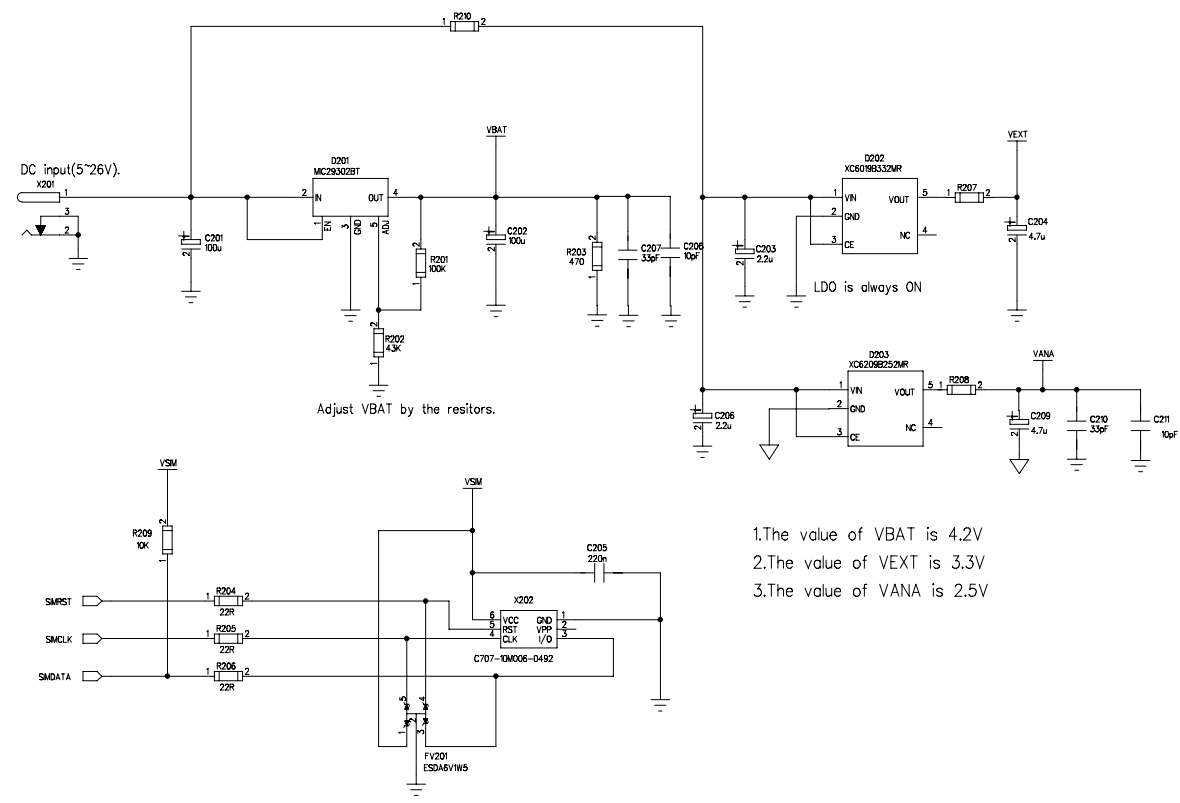
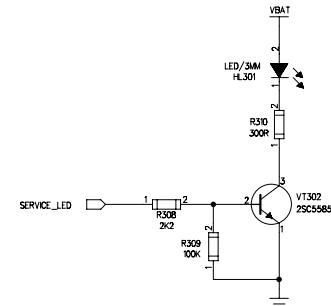
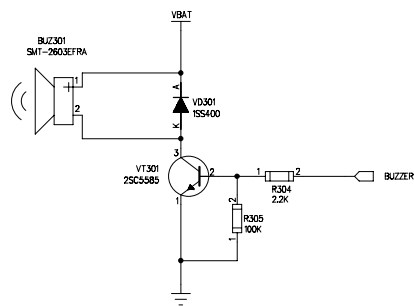
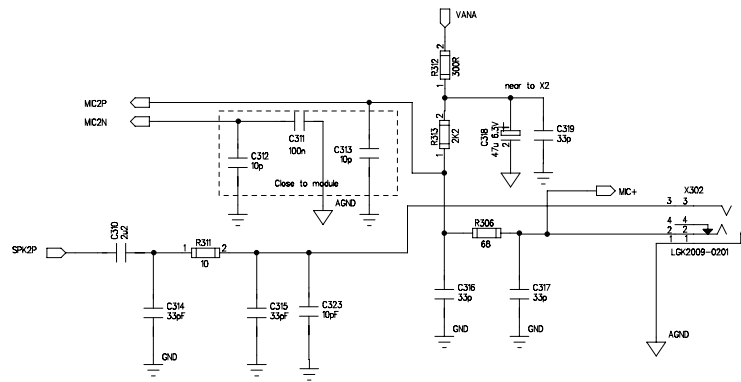
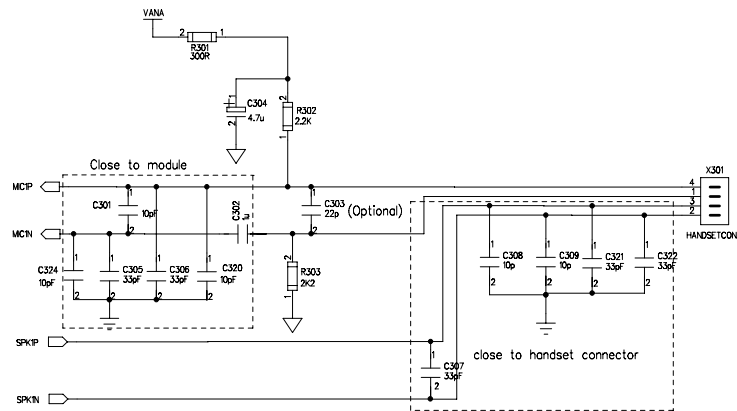


ECO MARK	No.	ECO No.	SIGNATURE	DATED	DRAWN	Zhang Lifan	DATED	03-09-29	MODEL: EVB	DRAWING No.:
					CHECKED	Zhou Miao	DATED			
					NORMALIZED		DATED		VERSION: V3.05	SHEET: 1/4
					APPROVED		DATED		TITLE: MODULE_INTERFACE	

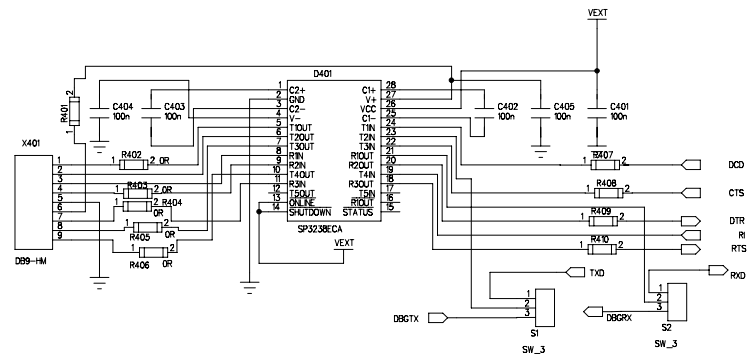
SIMCOM LIMITED



ECO MARK	No.	ECO No.	SIGNATURE	DATED	DRAWN	Zhang Lifan	DATED	03-09-29	MODEL: EVB	DRAWING No.:	
					CHECKED	Zhou Miao	DATED		VERSION: V3.05	SHEET: 2/4	
					NORMALIZED		DATED		TITLE: POWERSUPPLY_SIM		
					APPROVED		DATED				



ECO MARK	No.	ECO No.	SIGNATURE	DATED	DRAWN	Zhang Lifan	DATED	03-09-29	MODEL: EVB	DRAWING No.:
					CHECKED	Zhou Miao	DATED		VERSION: V3.05	SHEET: 3/4
					NORMALIZED		DATED		TITLE: AUDIO_PERIPH	
					APPROVED		DATED			



ECO MARK	No.	ECO No.	SIGNATURE	DATED	DRAWN	Zhang Lifan	DATED	03-09-29	MODEL: EVB	DRAWING No.:
					CHECKED	Zhou Miao	DATED		VERSION: V3.05	
					NORMALIZED		DATED		TITLE: EXTERNAL_INTERFACE	SHEET: 4/4
					APPROVED		DATED			SIMCOM LIMITED